

STATEWIDE

OFFICE FURNITURE

DIGITAL COMBINATION LOCK SW3780

Simple

- Easy keyless operation
- Public or private mode
- Battery level indicator
- Manual key override
- 2 year warranty

Secure

- Customisable master codes
- 10,000 possible combinations
- Solid zinc alloy housing
- No concerns over lost keys



www.statewideoffice.com.au

(02) 9750 3677

STATEWIDE
OFFICE FURNITURE

STATEWIDE

OFFICE FURNITURE

INSTRUCTIONS

3780 - The Basics

- The drawer lock has three code levels available:
 - I) Master Code
 - II) Sub-Master Code
 - III) User Code
- The 3780 lock is supplied with two factory set codes:

Master Code: 11 33 55 77
User Code: 22 44
- Master Code is 8 digits long.
- Sub-Master code is 6 digits long.
- Lock will automatically lock 4 seconds after entering an unlock code.

3780 - Operating Instructions

Note: The SW3780 has a 10 button keypad and a badged bar button.

Master Code can:

- Open the lock.
- Change the Master Code.
- Set / Change / Delete the Sub-Master and User Code.
- Set / Change public or private mode.
- Set auto-timers.

Sub-Master Code can:

- Open the lock.
- Change the Sub-Master Code.
- Set / Change / Delete the User Code.

User Code can:

- Open the lock.
- Change the User Code.

www.statewideoffice.com.au

(02) 9750 3677

STATEWIDE
OFFICE FURNITURE

STATEWIDE

OFFICE FURNITURE

INSTRUCTIONS

Penalty Time:

Entering three incorrect codes will cause the lock to shut down for 10 seconds.

Low Battery:

FLASHING RED LIGHT PRIOR TO LOCK OR UNLOCK INDICATES LOW BATTERY VOLTAGE.
CHANGE BATTERIES AS SOON AS POSSIBLE.

CHECK BATTERY LEVEL BY DOUBLE TAPPING BADGED BAR BUTTON.



If the batteries die prior to exchange, use the override key to unlock the 3780 in order to replace the batteries.

www.statewideoffice.com.au

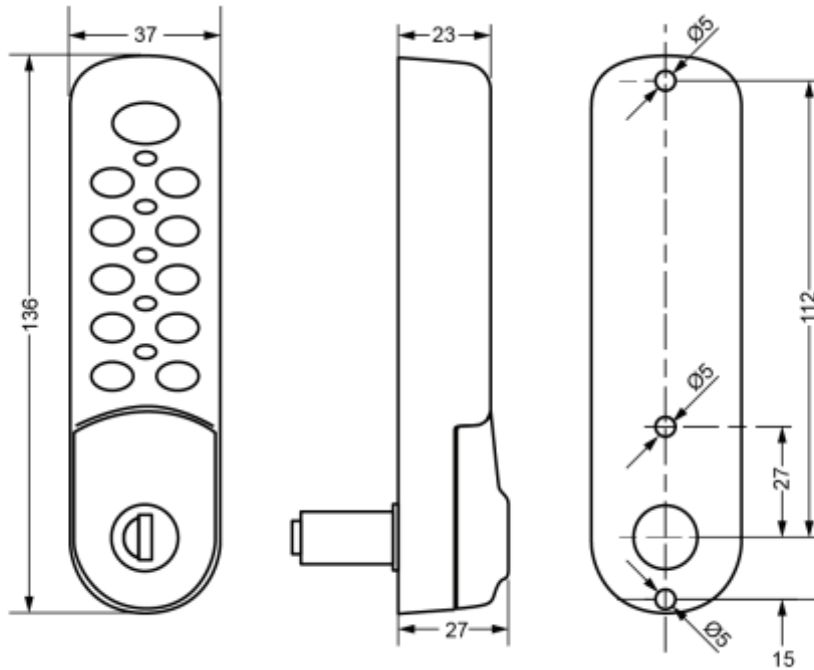
(02) 9750 3677

STATEWIDE
OFFICE FURNITURE

STATEWIDE

OFFICE FURNITURE

Specifications



3780 - Features

- Black (standard) or silver colour
- Override lock
- Three point fixing
- A wide variety of cams
- LED indicator lights
- Audible keypad
- Battery condition indication
- 8-digit master code
- 6-digit sub-master code
- 4-digit user codes
- Private or public user modes
- Two spindle lengths (20mm/24mm)
- Auto unlock mode
- Technician mode
- 2 x AA batteries included
- Up to 50,000 cycles per pair of batteries

3780 - Options

- Left or right hand horizontal version
- Customised Logo

www.statewideoffice.com.au

(02) 9750 3677

STATEWIDE
OFFICE FURNITURE